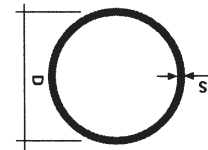


Lista Profili

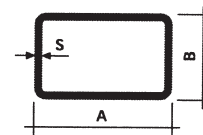
Profili	Dimensione esterna (mm)	Profili	Dimensione esterna (mm)	Profili	Dimensione esterna (mm)	Profili	Dimensione esterna (mm)	
TONDI	10,0	RETTANG.	15 x 10	QUADRI	10 x 10	OTTAGONI	30 x 19	
	12,0		20 x 10		12 x 12		35 x 20	
	13,0		20 x 15		12,5 x 12,5	SEMIOVALI	40 x 20	
	14,0		22 x 19		12,7 x 12,7		30 x 33	
	15,0		25 x 10		13 x 13		40 X 25	
	16,0		25 x 15		14 x 14		40 x 30	
	17,0		25 x 20		15 x 15		48 x 35	
	18,0		27,6 x 15		16 x 16		50 x 25	
	19,0		30 x 10		18 x 18	SPECIALI	Prof 01	PROFILO 40 x 40
	20,0		30 x 15		20 x 20		Prof 02	OVALE ZIGRINATO
	21,0		30 x 20		21,5 x 21,5		Prof 03	QUADRO R6
	22,0		30 x 25		22 x 22		Prof 04	PROF. SPECIALE H1
	23,0		34 x 15		25 x 25		Prof 05	PROFILO SERRA 51 x 51
	24,0		35 x 10		26 x 26		Prof 06	R.P. 202
	25,0		35 x 15		26,5 x 26,5		Prof 07	PROF. SPECIALE 60 x 40
	25,4		35 x 18		28 x 28		Prof 08	PROF. SPECIALE 56 x 40
	25,7		35 x 20	30 x 30	Prof 09		SAGOMATO 50 x 40	
	26,0		35 x 25	35 x 35	Prof 10		PROFILO 10	
	26,6		35 x 30	38 x 38	Prof 11	PROFILO 11		
	27,0		40 x 10	39,7 x 39,7	Prof 12	OVALE ZIGRINATO 30 x 15		
	28,0		40 x 15	40 x 40	Prof 13	RETTANGOLO 30 x 28 R6		
	28,6		40 x 20	45 x 45	Prof 14	PROF. SPECIALE L 20 x 34		
	30,0		40 x 25	50 x 50	Prof 15	PROF. SPECIALE OMEGA		
	32,0		40 x 30	60 x 60	Prof 16	RETTANGOLO 40 x 25 R6		
	33,0		40 x 35	65 x 65				
	34,0		45 x 15					
	35,0		45 x 20					
	37,0		45 x 25	ELITTICI	30 x 15			
	38,0		45 x 30		40 x 20			
	40,0		45 x 35		50 x 25			
	41,0		50 x 10		60 x 30			
	42,0		50 x 15	OVALI	20 x 10			
	43,0		50 x 19,5		25 x 10			
45,0	50 x 20		22 x 15					
48,0	50 x 25		25 x 15					
50,0	50 x 30		30 x 14,5					
51,0	50 x 40		30 x 15					
56,0	50 x 45		30 x 20					
57,0	60 x 10		35 x 15					
60,0	60 x 15		36 x 18					
63,5	60 x 20		35 x 20					
65,0	60 x 30		38 x 20					
70,0	60 x 35		40 x 20					
76,0	60 x 40		40 x 25					
80,0	70 x 20		46 x 26					
83,0	70 x 25		48 x 20					
	70 x 30		50 x 20					
	80 x 15		50 x 30					
	80 x 20		60 x 30					
	80 x 30		80 x 40					
	80 x 40							
	90 x 30							
	100 x 30							

Profili Tondi



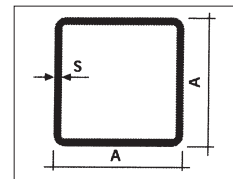
Dimensione esterna (mm)	Spessore (mm)																
	0,6	0,7	0,8	0,9	1,0	1,1	1,2	1,4	1,5	1,8	2,0	2,2	2,5	2,8	3,0	3,3	3,5
Peso Lineare (Kg/m)																	
10,0	0,139	0,161	0,182	0,202	0,222	0,241	0,260	0,297	0,314								
12,0	0,169	0,195	0,221	0,246	0,271	0,296	0,320	0,366	0,388	0,453	0,493						
13,0	0,183	0,212	0,241	0,269	0,296	0,323	0,349	0,401	0,425	0,497	0,543						
14,0	0,198	0,230	0,260	0,291	0,321	0,350	0,379	0,435	0,462	0,542	0,592						
15,0	0,213	0,247	0,280	0,313	0,345	0,377	0,408	0,470	0,499	0,586	0,641						
16,0	0,228	0,264	0,300	0,335	0,370	0,404	0,438	0,504	0,536	0,630	0,691						
17,0	0,243	0,281	0,320	0,357	0,395	0,431	0,468	0,539	0,573	0,675	0,740						
18,0	0,257	0,299	0,339	0,380	0,419	0,458	0,497	0,573	0,610	0,719	0,789	0,857	0,956				
19,0	0,272	0,316	0,359	0,402	0,444	0,486	0,527	0,608	0,647	0,764	0,838	0,911	1,017				
20,0	0,287	0,333	0,379	0,424	0,469	0,513	0,556	0,642	0,684	0,808	0,888	0,966	1,079	1,188	1,258		
21,0	0,302	0,350	0,399	0,446	0,493	0,540	0,586	0,677	0,721	0,852	0,937	1,020	1,141	1,257	1,332		
22,0	0,317	0,368	0,418	0,468	0,518	0,567	0,616	0,711	0,758	0,897	0,986	1,074	1,202	1,326	1,406		
23,0	0,331	0,385	0,438	0,491	0,543	0,594	0,645	0,746	0,795	0,941	1,036	1,129	1,264	1,395	1,480		
24,0	0,346	0,402	0,458	0,513	0,567	0,621	0,675	0,780	0,832	0,985	1,085	1,183	1,326	1,464	1,554		
25,0	0,361	0,419	0,477	0,535	0,592	0,648	0,704	0,815	0,869	1,030	1,134	1,237	1,387	1,533	1,628		
25,4	0,367	0,426	0,485	0,544	0,602	0,659	0,716	0,829	0,884	1,048	1,154	1,259	1,412	1,561	1,657		
25,7	0,371	0,432	0,491	0,550	0,609	0,667	0,725	0,839	0,895	1,061	1,169	1,275	1,430	1,581	1,679		
26,0	0,376	0,437	0,497	0,557	0,617	0,675	0,734	0,849	0,906	1,074	1,184	1,291	1,449	1,602	1,702		
26,6	0,385	0,447	0,509	0,570	0,631	0,692	0,752	0,870	0,929	1,101	1,213	1,324	1,486	1,643	1,746		
27,0	0,391	0,454	0,517	0,579	0,641	0,703	0,764	0,884	0,943	1,119	1,233	1,346	1,511	1,671	1,776		
28,0	0,405	0,471	0,537	0,601	0,666	0,730	0,793	0,918	0,980	1,163	1,282	1,400	1,572	1,740	1,850		
28,6	0,414	0,482	0,548	0,615	0,681	0,746	0,811	0,939	1,002	1,190	1,312	1,432	1,609	1,782	1,894		
30,0			0,576	0,646	0,715	0,784	0,852	0,987	1,054	1,252	1,381	1,508	1,695	1,878	1,998		
32,0			0,616	0,690	0,765	0,838	0,911	1,056	1,128	1,341	1,480	1,617	1,819	2,016	2,146		
33,0			0,635	0,712	0,789	0,865	0,941	1,091	1,165	1,385	1,529	1,671	1,880	2,085	2,220		
34,0				0,735	0,814	0,892	0,971	1,126	1,202	1,429	1,578	1,725	1,942	2,154	2,294		
35,0				0,757	0,838	0,920	1,000	1,160	1,239	1,474	1,628	1,780	2,004	2,223	2,368		
37,0				0,801	0,888	0,974	1,059	1,229	1,313	1,563	1,726	1,888	2,127	2,362	2,515		
38,0				0,823	0,912	1,001	1,089	1,264	1,350	1,607	1,776	1,942	2,189	2,431	2,589		
40,0				0,868	0,962	1,055	1,148	1,333	1,424	1,696	1,874	2,051	2,312	2,569	2,737		
41,0					0,986	1,082	1,178	1,367	1,461	1,740	1,924	2,105	2,374	2,638	2,811		
42,0					1,011	1,110	1,207	1,402	1,498	1,785	1,973	2,159	2,435	2,707	2,885		
43,0					1,036	1,137	1,237	1,436	1,535	1,829	2,022	2,214	2,497	2,776	2,959		
45,0					1,085	1,191	1,296	1,505	1,609	1,918	2,121	2,322	2,620	2,914	3,107		
48,0					1,159	1,272	1,385	1,609	1,720	2,051	2,269	2,485	2,805	3,121	3,329		
50,0					1,208	1,327	1,444	1,678	1,794	2,140	2,368	2,593	2,929	3,259	3,477		
51,0					1,233	1,354	1,474	1,712	1,831	2,184	2,417	2,648	2,990	3,328	3,551		
56,0					1,356	1,489	1,622	1,885	2,016	2,406	2,663	2,919	3,298	3,674	3,921		
57,0					1,381	1,516	1,651	1,920	2,053	2,450	2,713	2,973	3,360	3,743	3,995		
60,0						1,598	1,740	2,023	2,164	2,584	2,861	3,136	3,545	3,950	4,217		
63,5						1,693	1,844	2,144	2,294	2,739	3,033	3,326	3,761	4,191	4,476		
65,0						1,733	1,888	2,196	2,349	2,805	3,107	3,407	3,853	4,295	4,587		
70,0						1,869	2,036	2,368	2,534	3,027	3,354	3,679	4,162	4,640	4,957		
76,0						2,032	2,214	2,576	2,756	3,294	3,650	4,004	4,532	5,055	5,401		
80,0						2,140	2,332	2,714	2,904	3,471	3,847	4,221	4,778	5,331	5,697		
83,0						2,222	2,421	2,817	3,015	3,605	3,995	4,384	4,963	5,538	5,919		

Profili Rettangolari



Dimensione esterna (mm)	Tondo Derivato (mm)	Spessore (mm)															
		0,6	0,7	0,8	0,9	1,0	1,1	1,2	1,4	1,5	1,8	2,0	2,2	2,5	2,8	3,0	
		Peso Lineare (Kg/m)															
15 x 10	16,0	0,228	0,264	0,300	0,335	0,370	0,404	0,438	0,504	0,536							
18 x 10	18,0	0,257	0,299	0,339	0,380	0,419	0,458	0,497	0,573	0,610							
20 x 10	19,0	0,272	0,316	0,359	0,402	0,444	0,486	0,527	0,608	0,647							
20 x 15	22,0	0,317	0,368	0,418	0,468	0,518	0,567	0,616	0,711	0,758	0,897	0,986					
22 x 19	26,0		0,437	0,497	0,557	0,617	0,675	0,734	0,849	0,906	1,074	1,184					
25 x 10	22,0		0,368	0,418	0,468	0,518	0,567	0,616	0,711	0,758	0,897	0,986					
25 x 15	25,0		0,419	0,477	0,535	0,592	0,648	0,704	0,815	0,869	1,030	1,134	1,237	1,387			
25 x 20	28,0		0,471	0,537	0,601	0,666	0,730	0,793	0,918	0,980	1,163	1,282	1,400	1,572			
27,6 x 15	28,0		0,471	0,537	0,601	0,666	0,730	0,793	0,918	0,980	1,163	1,282	1,400	1,572			
30 x 10	25,0		0,419	0,477	0,535	0,592	0,648	0,704	0,815	0,869	1,030	1,134	1,237	1,387			
30 x 15	28,0		0,471	0,537	0,601	0,666	0,730	0,793	0,918	0,980	1,163	1,282	1,400	1,572			
30 x 20	32,0		0,540	0,616	0,690	0,765	0,838	0,911	1,056	1,128	1,341	1,480	1,617	1,819			
30 x 25	35,0			0,675	0,757	0,838	0,920	1,000	1,160	1,239	1,474	1,628	1,780	2,004			
30 x 28	38,0			0,734	0,823	0,912	1,001	1,089	1,264	1,350	1,607	1,776	1,942	2,189			
30 x 28 1xr6	38,0			0,734	0,823	0,912	1,001	1,089	1,264	1,350	1,607	1,776	1,942	2,189			
34 x 15	32,0			0,616	0,690	0,765	0,838	0,911	1,056	1,128	1,341	1,480	1,617	1,819			
35 x 10	28,0			0,537	0,601	0,666	0,730	0,793	0,918	0,980	1,163	1,282	1,400	1,572			
35 x 15	32,0			0,616	0,690	0,765	0,838	0,911	1,056	1,128	1,341	1,480	1,617	1,819			
35 x 18	33,0			0,635	0,712	0,789	0,865	0,941	1,091	1,165	1,385	1,529	1,671	1,880			
35 x 20	35,0			0,675	0,757	0,838	0,920	1,000	1,160	1,239	1,474	1,628	1,780	2,004			
35 x 25	38,0			0,734	0,823	0,912	1,001	1,089	1,264	1,350	1,607	1,776	1,942	2,189	2,431	2,589	
35 x 30	42,0				1,011	1,110	1,207	1,402	1,498	1,785	1,973	2,159	2,435	2,707	2,885		
40 x 10	32,0				0,765	0,838	0,911	1,056	1,128	1,341	1,480	1,617	1,819				
40 x 15	35,0				0,838	0,920	1,000	1,160	1,239	1,474	1,628	1,780	2,004				
40 x 20	38,0				0,912	1,001	1,089	1,264	1,350	1,607	1,776	1,942	2,189	2,431	2,589		
40 x 25	42,0				1,011	1,110	1,207	1,402	1,498	1,785	1,973	2,159	2,435	2,707	2,885		
40 x 25 1xr6	42,0				1,011	1,110	1,207	1,402	1,498	1,785	1,973	2,159	2,435	2,707	2,885		
40 x 30	45,0				1,085	1,191	1,296	1,505	1,609	1,918	2,121	2,322	2,620	2,914	3,107		
40 x 35	48,0				1,159	1,272	1,385	1,609	1,720	2,051	2,269	2,485	2,805	3,121	3,329		
45 x 15	38,0				0,912	1,001	1,089	1,264	1,350	1,607	1,776	1,942	2,189	2,431	2,589		
45 x 20	42,0				1,011	1,110	1,207	1,402	1,498	1,785	1,973	2,159	2,435	2,707	2,885		
45 x 25	45,0				1,085	1,191	1,296	1,505	1,609	1,918	2,121	2,322	2,620	2,914	3,107		
45 x 30	48,0				1,159	1,272	1,385	1,609	1,720	2,051	2,269	2,485	2,805	3,121	3,329		
45 x 35	50,0				1,208	1,327	1,444	1,678	1,794	2,140	2,368	2,593	2,929	3,259	3,477		
50 x 10	38,0				0,912	1,001	1,089	1,264	1,350	1,607	1,776	1,942	2,189	2,431	2,589		
50 x 15	42,0				1,011	1,110	1,207	1,402	1,498	1,785	1,973	2,159	2,435	2,707	2,885		
50 x 19,5	43,0				1,036	1,137	1,237	1,436	1,535	1,829	2,022	2,214	2,497	2,776	2,959		
50 x 20	45,0				1,085	1,191	1,296	1,505	1,609	1,918	2,121	2,322	2,620	2,914	3,107		
50 x 25	48,0				1,159	1,272	1,385	1,609	1,720	2,051	2,269	2,485	2,805	3,121	3,329		
50 x 30	50,0				1,208	1,327	1,444	1,678	1,794	2,140	2,368	2,593	2,929	3,259	3,477		
50 x 40	57,0				1,381	1,516	1,651	1,920	2,053	2,450	2,713	2,973	3,360	3,743	3,995		
50 x 45	60,0				1,455	1,598	1,740	2,023	2,164	2,584	2,861	3,136	3,545	3,950	4,217		
60 x 10	45,0				1,085	1,191	1,296	1,505	1,609	1,918	2,121	2,322	2,620	2,914	3,107		
60 x 15	48,0				1,159	1,272	1,385	1,609	1,720	2,051	2,269	2,485	2,805	3,121	3,329		
60 x 20	50,0				1,208	1,327	1,444	1,678	1,794	2,140	2,368	2,593	2,929	3,259	3,477		
60 x 30	57,0				1,381	1,516	1,651	1,920	2,053	2,450	2,713	2,973	3,360	3,743	3,995		
60 x 35	60,0				1,455	1,598	1,740	2,023	2,164	2,584	2,861	3,136	3,545	3,950	4,217		
60 x 40	63,5				1,541	1,693	1,844	2,144	2,294	2,739	3,033	3,326	3,761	4,191	4,476		
70 x 20	57,0				1,381	1,516	1,651	1,920	2,053	2,450	2,713	2,973	3,360	3,743	3,995		
70 x 25	60,0				1,455	1,598	1,740	2,023	2,164	2,584	2,861	3,136	3,545	3,950	4,217		
70 x 30	63,5				1,541	1,693	1,844	2,144	2,294	2,739	3,033	3,326	3,761	4,191	4,476		
70 x 40	70,0								2,036	2,368	2,534	3,027	3,354	3,679	4,162	4,640	4,957
70 x 50	76,0								2,214	2,576	2,756	3,294	3,650	4,004	4,532	5,055	5,401
80 x 15	60,0								1,740	2,023	2,164	2,584	2,861	3,136	3,545	3,950	4,217
80 x 20	63,5								1,844	2,144	2,294	2,739	3,033	3,326	3,761	4,191	4,476
80 x 30	70,0								2,036	2,368	2,534	3,027	3,354	3,679	4,162	4,640	4,957
80 x 40	76,0								2,214	2,576	2,756	3,294	3,650	4,004	4,532	5,055	5,401
90 x 30	76,0								2,214	2,576	2,756	3,294	3,650	4,004	4,532	5,055	5,401
100 x 30	83,0								2,421	2,817	3,015	3,605	3,995	4,384	4,963	5,538	5,919

Profili Quadri

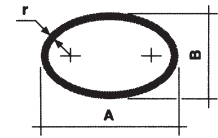


Dimensione esterna (mm)	Tondo Derivato (mm)	Spessore (mm)														
		0,6	0,7	0,8	0,9	1,0	1,1	1,2	1,4	1,5	1,8	2,0	2,2	2,5	2,8	3,0
		Peso Lineare (Kg/m)														
10 x 10	12,0	0,169	0,195	0,221	0,246	0,271	0,296	0,320	0,366	0,388						
12 x 12	15,0	0,213	0,247	0,280	0,313	0,345	0,377	0,408	0,470	0,499						
12,5 x 12,5	16,0	0,228	0,264	0,300	0,335	0,370	0,404	0,438	0,504	0,536						
12,7 x 12,7	16,0	0,228	0,264	0,300	0,335	0,370	0,404	0,438	0,504	0,536						
13 x 13	16,0	0,228	0,264	0,300	0,335	0,370	0,404	0,438	0,504	0,536						
14 x 14	18,0	0,257	0,299	0,339	0,380	0,419	0,458	0,497	0,573	0,610						
15 x 15	19,0	0,272	0,316	0,359	0,402	0,444	0,486	0,527	0,608	0,647	0,764	0,838				
16 x 16	20,0	0,287	0,333	0,379	0,424	0,469	0,513	0,556	0,642	0,684	0,808	0,888				
18 x 18	22,0	0,317	0,368	0,418	0,468	0,518	0,567	0,616	0,711	0,758	0,897	0,986				
20 x 20	25,0			0,477	0,535	0,592	0,648	0,704	0,815	0,869	1,030	1,134				
21,5 x 21,5	28,0			0,537	0,601	0,666	0,730	0,793	0,918	0,980	1,163	1,282				
22 x 22	28,0			0,537	0,601	0,666	0,730	0,793	0,918	0,980	1,163	1,282				
25 x 25	32,0			0,616	0,690	0,765	0,838	0,911	1,056	1,128	1,341	1,480				
26 x 26	34,0			0,655	0,735	0,814	0,892	0,971	1,126	1,202	1,429	1,578				
26,5 x 26,5	34,0			0,655	0,735	0,814	0,892	0,971	1,126	1,202	1,429	1,578				
28 x 28	35,0			0,675	0,757	0,838	0,920	1,000	1,160	1,239	1,474	1,628				
30 x 30	38,0			0,734	0,823	0,912	1,001	1,089	1,264	1,350	1,607	1,776	1,942	2,189		
30 x 30 1xr6	38,0			0,734	0,823	0,912	1,001	1,089	1,264	1,350	1,607	1,776	1,942	2,189		
35 x 35	43,0					1,036	1,137	1,237	1,436	1,535	1,829	2,022	2,214	2,497		
38 x 38	48,0					1,159	1,272	1,385	1,609	1,720	2,051	2,269	2,485	2,805		
39,7 x 39,7	50,0					1,208	1,327	1,444	1,678	1,794	2,140	2,368	2,593	2,929	3,259	3,477
40 x 40	50,0					1,208	1,327	1,444	1,678	1,794	2,140	2,368	2,593	2,929	3,259	3,477
45 x 45	57,0					1,381	1,516	1,651	1,920	2,053	2,450	2,713	2,973	3,360	3,743	3,995
50 x 50	63,5					1,541	1,693	1,844	2,144	2,294	2,739	3,033	3,326	3,761	4,191	4,476
60 x 60	76,0							2,214	2,576	2,756	3,294	3,650	4,004	4,532	5,055	5,401
65 x 65	83,0							2,421	2,817	3,015	3,605	3,995	4,384	4,963	5,538	5,919

Profili Ottagonali

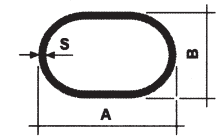
Dimensione esterna (mm)	Tondo Derivato (mm)	Spessore (mm)														
		0,6	0,7	0,8	0,9	1,0	1,1	1,2	1,4	1,5	1,8	2,0	2,2	2,5	2,8	3,0
		Peso Lineare (Kg/m)														
30 x 19	28,0		0,471	0,537	0,601	0,666	0,730	0,793	0,918	0,980	1,163	1,282				
35 x 20	32,0		0,540	0,616	0,690	0,765	0,838	0,911	1,056	1,128	1,341	1,480				

Profili Ellittici



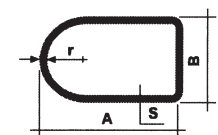
Dimensione esterna (mm)	Tondo Derivato (mm)	Spessore (mm)														
		0,6	0,7	0,8	0,9	1,0	1,1	1,2	1,4	1,5	1,8	2,0	2,2	2,5	2,8	3,0
		Peso Lineare (Kg/m)														
30 x 15	23,0	0,331	0,385	0,438	0,491	0,543	0,594	0,645	0,746	0,795	0,941	1,036				
40 x 20	32,0					0,765	0,838	0,911	1,056	1,128	1,341	1,480				
50 x 25	38,0					0,912	1,001	1,089	1,264	1,350	1,607	1,776				
60 x 30	45,0					1,085	1,191	1,296	1,505	1,609	1,918	2,121				

Profili Ovali



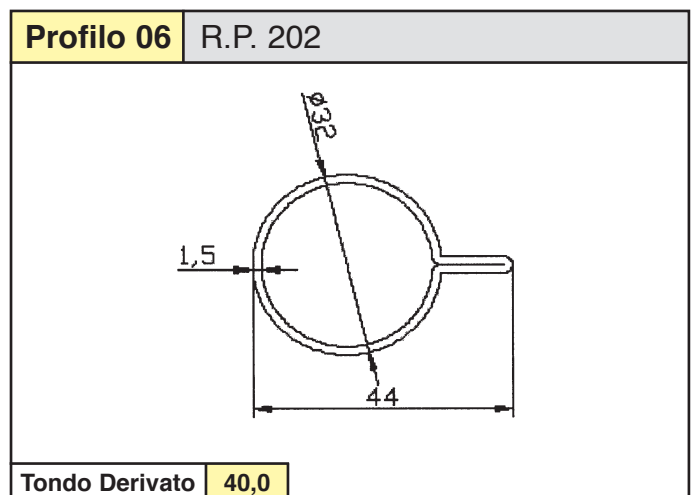
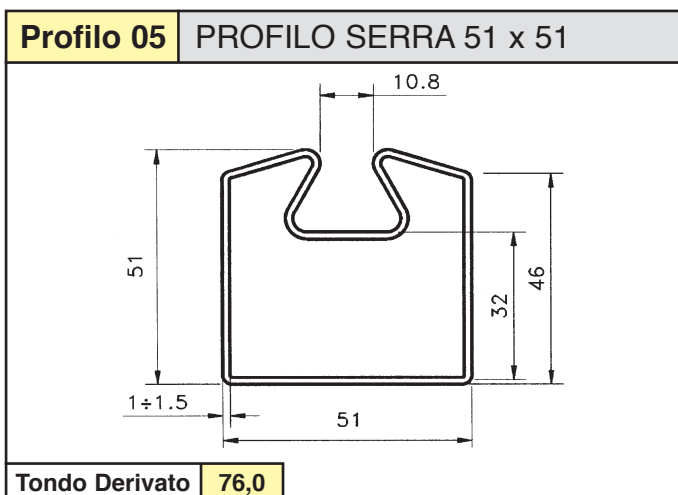
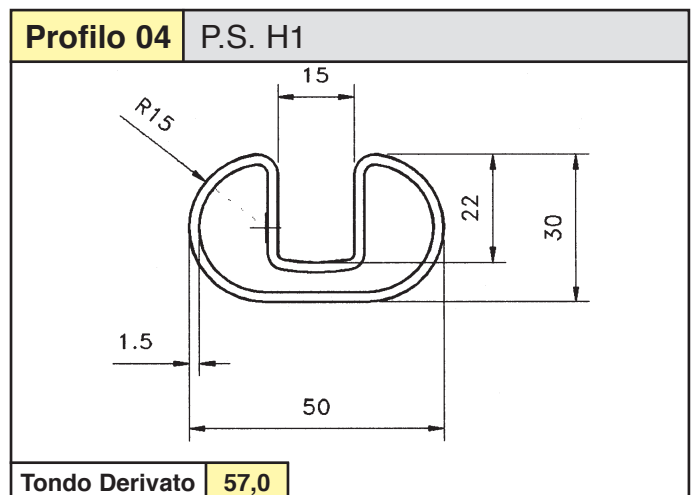
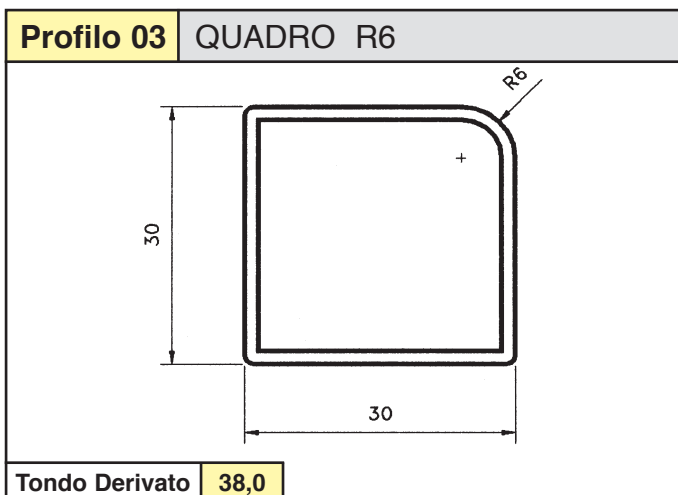
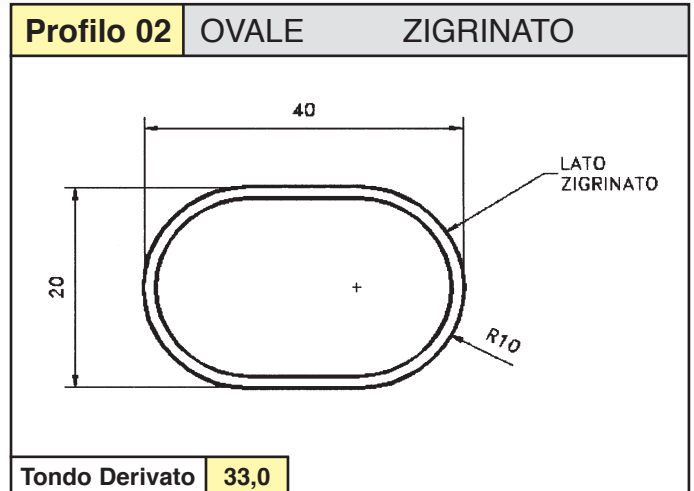
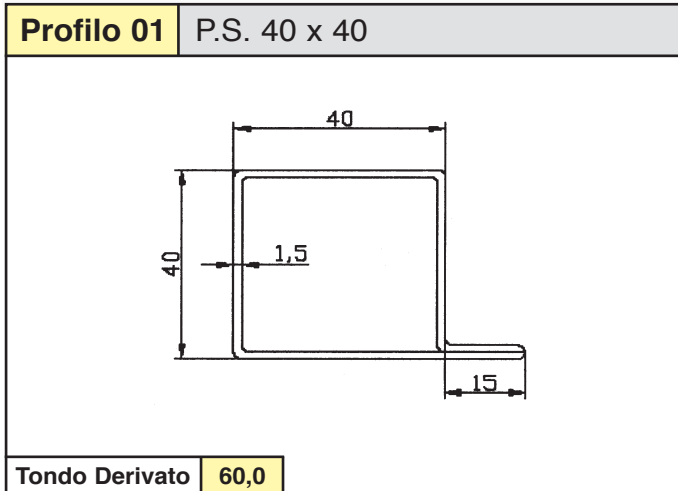
Dimensione esterna (mm)	Tondo Derivato (mm)	Spessore (mm)														
		0,6	0,7	0,8	0,9	1,0	1,1	1,2	1,4	1,5	1,8	2,0	2,2	2,5	2,8	3,0
		Peso Lineare (Kg/m)														
20 x 10	16,0	0,228	0,264	0,300	0,335	0,370	0,404	0,438	0,504	0,536						
25 x 10	20,0	0,287	0,333	0,379	0,424	0,469	0,513	0,556	0,642	0,684						
22 x 15	20,0	0,287	0,333	0,379	0,424	0,469	0,513	0,556	0,642	0,684						
25 x 15	22,0	0,317	0,368	0,418	0,468	0,518	0,567	0,616	0,711	0,758						
30 x 14,5	25,0	0,361	0,419	0,477	0,535	0,592	0,648	0,704	0,815	0,869	1,030	1,134				
30 x 15	25,0	0,361	0,419	0,477	0,535	0,592	0,648	0,704	0,815	0,869	1,030	1,134				
30 x 20	26,0		0,437	0,497	0,557	0,617	0,675	0,734	0,849	0,906	1,074	1,184				
35 x 15	28,0		0,471	0,537	0,601	0,666	0,730	0,793	0,918	0,980	1,163	1,282				
36 x 18	30,0		0,506	0,576	0,646	0,715	0,784	0,852	0,987	1,054	1,252	1,381	1,508			
35 x 20	30,0			0,576	0,646	0,715	0,784	0,852	0,987	1,054	1,252	1,381	1,508	1,695		
38 x 20	32,0			0,616	0,690	0,765	0,838	0,911	1,056	1,128	1,341	1,480	1,617	1,819		
40 x 20	33,0			0,635	0,712	0,789	0,865	0,941	1,091	1,165	1,385	1,529	1,671	1,880	2,085	
40 x 25	35,0			0,675	0,757	0,838	0,920	1,000	1,160	1,239	1,474	1,628	1,780	2,004	2,223	2,368
46 x 26	38,0					0,912	1,001	1,089	1,264	1,350	1,607	1,776	1,942	2,189	2,431	2,589
48 x 20	38,0					0,912	1,001	1,089	1,264	1,350	1,607	1,776	1,942	2,189	2,431	2,589
50 x 20	40,0					0,962	1,055	1,148	1,333	1,424	1,696	1,874	2,051	2,312	2,569	2,737
50 x 30	43,0					1,036	1,137	1,237	1,436	1,535	1,829	2,022	2,214	2,497	2,776	2,959
60 x 30	50,0					1,208	1,327	1,444	1,678	1,794	2,140	2,368	2,593	2,929	3,259	3,477
80 x 40	65,0					1,578	1,733	1,888	2,196	2,349	2,805	3,107	3,407	3,853	4,295	4,587

Profili Semiovali

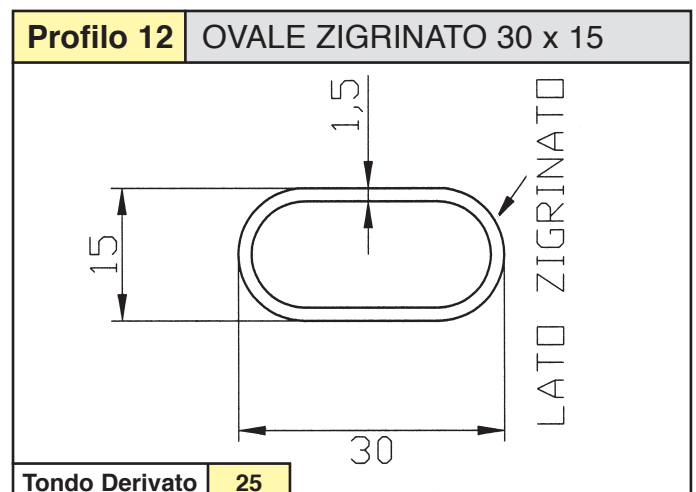
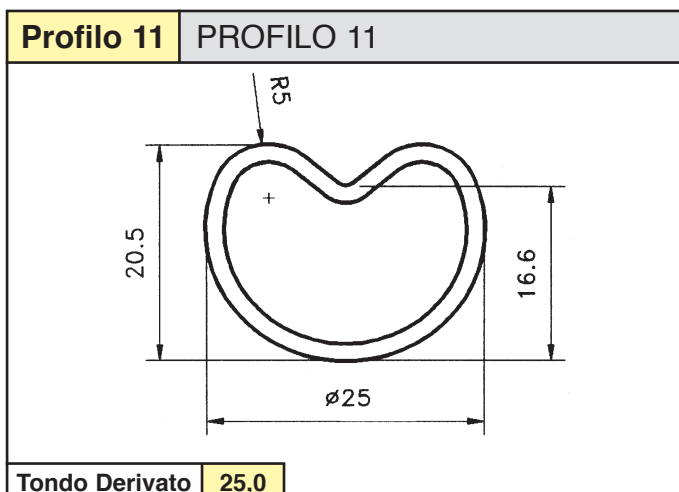
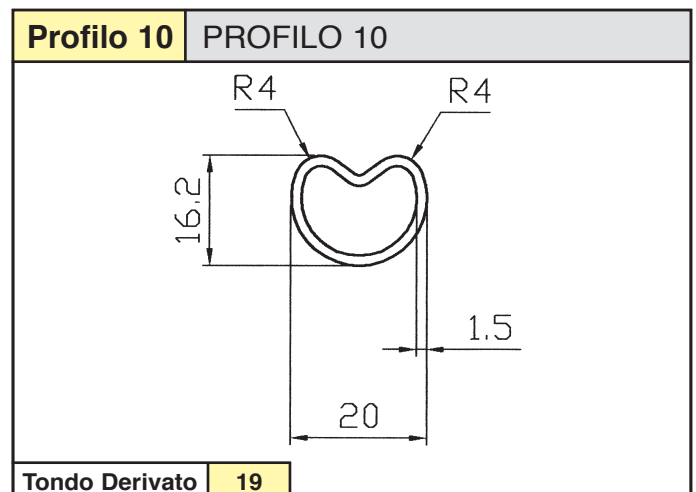
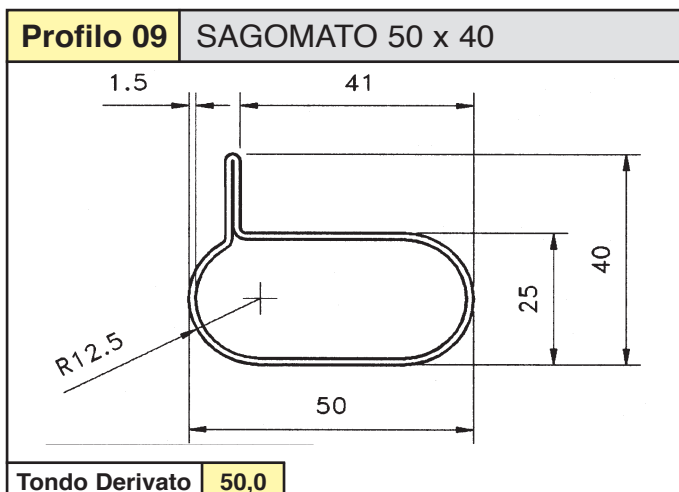
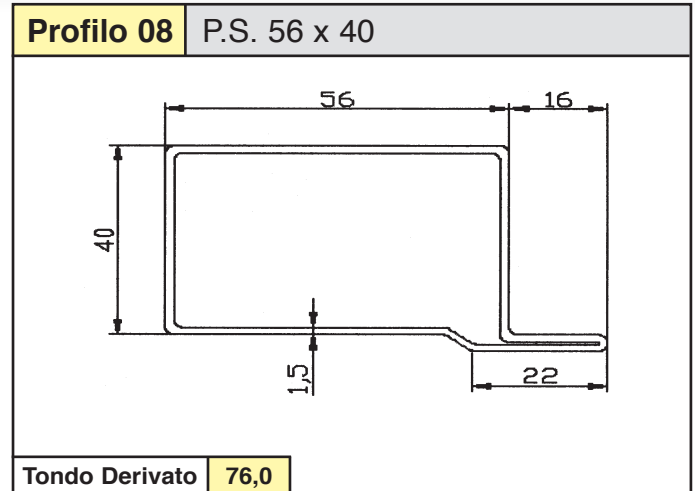
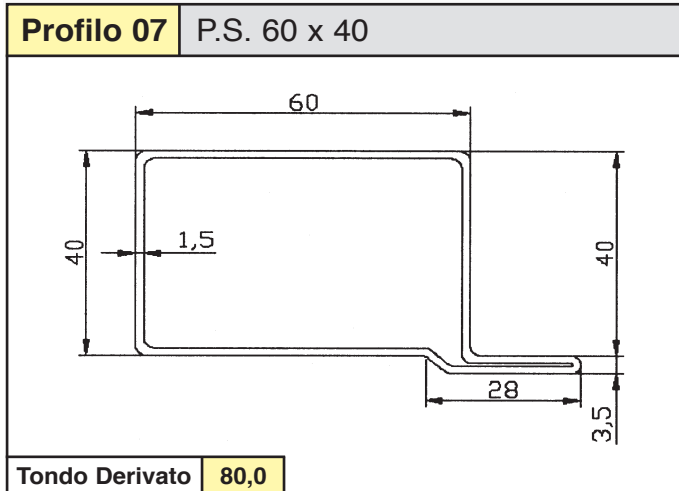


Dimensione esterna (mm)	Tondo Derivato (mm)	Spessore (mm)														
		0,6	0,7	0,8	0,9	1,0	1,1	1,2	1,4	1,5	1,8	2,0	2,2	2,5	2,8	3,0
		Peso Lineare (Kg/m)														
40 x 20	35,0					0,838	0,920	1,000	1,160	1,239	1,474	1,628				
30 x 33	38,0					0,912	1,001	1,089	1,264	1,350	1,607	1,776				
40 x 25	38,0					0,912	1,001	1,089	1,264	1,350	1,607	1,776	1,942			
40 x 30	40,0					0,962	1,055	1,148	1,333	1,424	1,696	1,874	2,051	2,312		
48 x 35	45,0					1,085	1,191	1,296	1,505	1,609	1,918	2,121	2,322	2,620	2,914	
50 x 25 TV	45,0					1,085	1,191	1,296	1,505	1,609	1,918	2,121	2,322	2,620	2,914	3,107

Profili Speciali



Profili Speciali



Profili Speciali

